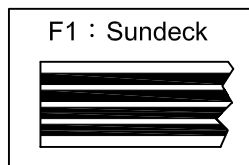
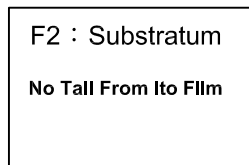


NOTE:

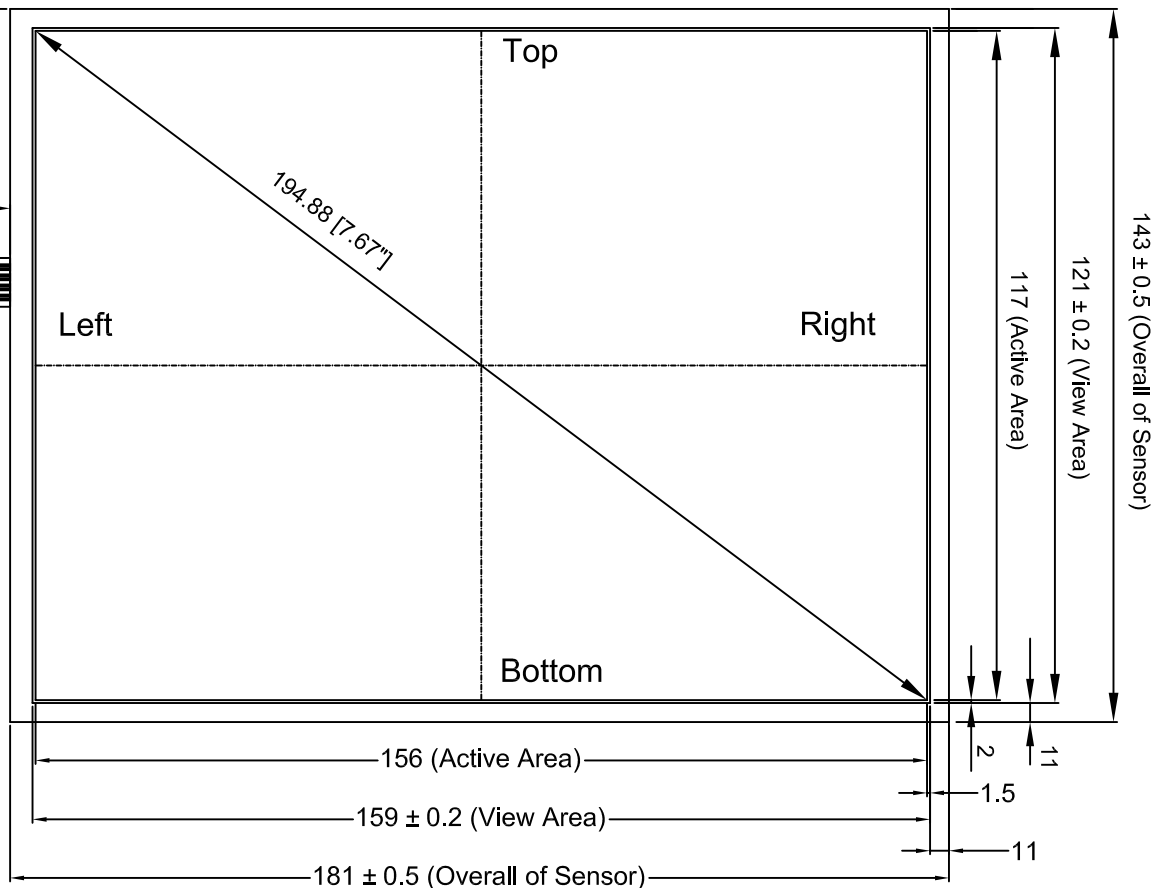
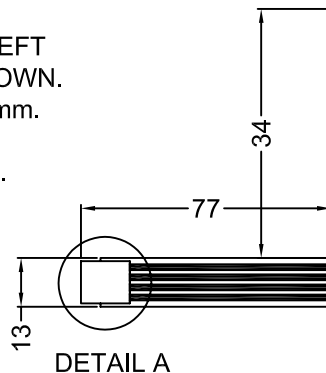
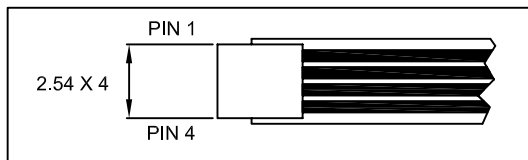
1. CABLE IS ATTACHED TO THE LEFT SIDE OF TOUCH PANEL AS SHOWN.
2. TAIL CONNECTOR: PITCH 2.54mm.
3. PL TYPE.
4. TRANSPARENCY : OVER 72 %.



+



||



LAYER CONSTRUCTION

P/N	COVERSHEET TYPE	GLASS THICKNESS	FINISHED PART THICKNESS
4WR07551T2	ANTI-NEWTON RING ANTI-GLARE	5.0	5.6 ± 0.2

CONNECTOR PINOUT	
PIN NO	ASSIGNMENT
1	Y up
2	Y down
3	X left
4	X right

宇鴻光電股份有限公司 ATouch Technologies Co., Ltd.		
MODEL NUMBER		4WR075-2
DRAWN BY	DIMENSION UNIT	ISSUE DATE
KEN JHUANG	mm	12 / 19 / 07
CHECKED BY	SCALE	REV
MELISSA WEI	NOT TO SCALE	E