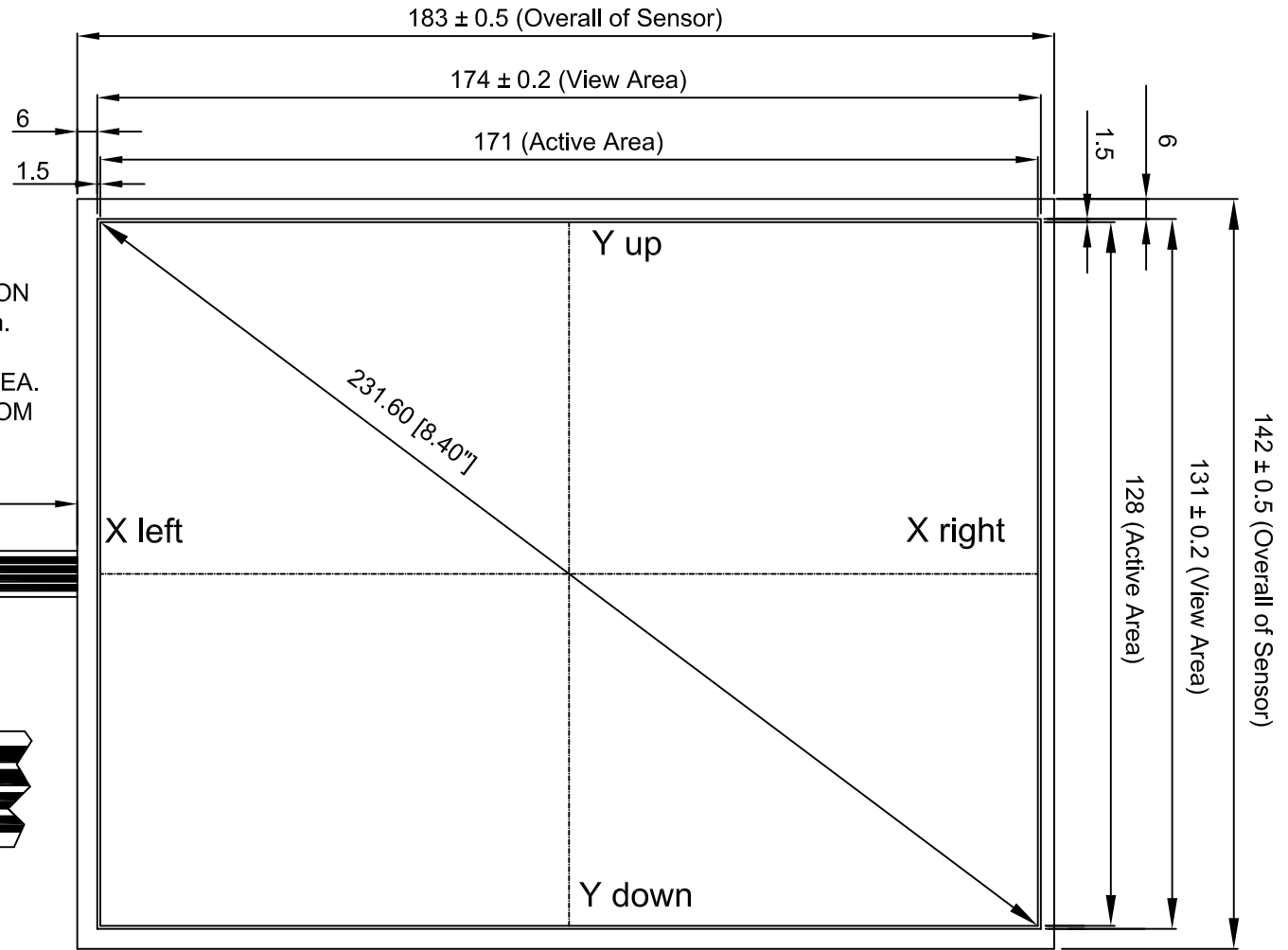
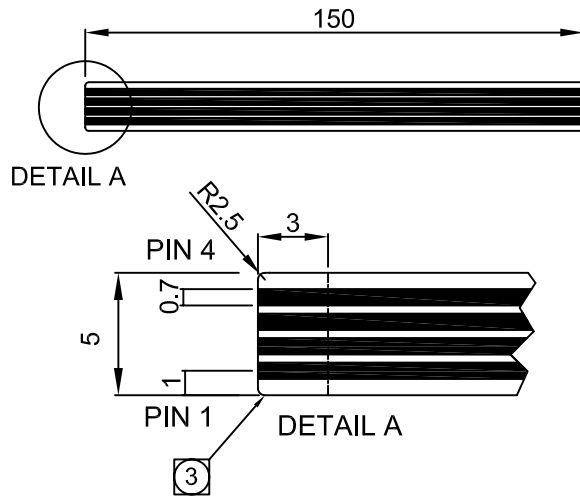


NOTE:

1. CABLE IS ATTACHED TO THE LEFT SIDE OF TOUCH PANEL AT CENTER POINT AS SHOWN.
2. TAIL CONNECTOR: PITCH 1.00mm
- ③. EXPOSURE LENGTH OF SILVER PLATE ON ONE SIDE OF TAIL CONNECTOR IS 3mm.
4. ITO FILM IS ANTI-NEWTON RING TYPE.
5. TRANSPARENT INK FOR INSULATION AREA.
6. PANEL TAIL IS DIRECTLY EXTENDED FROM ITO FILM.



| P/N | COVERSHEET TYPE | GLASS THICKNESS | FINISHED PART THICKNESS |
|------------|-----------------|-----------------|-------------------------|
| 4WR0841BG2 | CLEAR | 1.1 | 1.4 ± 0.2 |
| 4WR0841BN2 | ANTI-GLARE | | |

| CONNECTOR PINOUT | |
|------------------|------------|
| PIN NO | ASSIGNMENT |
| 1 | Y down |
| 2 | X left |
| 3 | Y up |
| 4 | X right |

| 宇鴻光電股份有限公司 ATouch Technologies Co., Ltd. | | |
|--|----------------|--------------|
| MODEL NUMBER | | 4WR084-2 |
| DRAWN BY | DIMENSION UNIT | ISSUE DATE |
| KEN JHUANG | mm | 12 / 19 / 07 |
| CHECKED BY | SCALE | REV |
| MELISSA WEI | NOT TO SCALE | E |