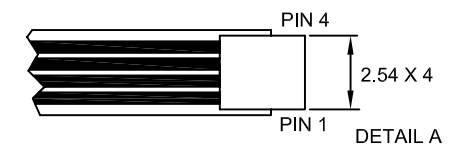
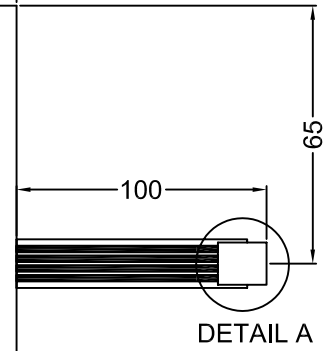


NOTE:
 1.CABLE IS ATTACHED TO THE RIGHT SIDE OF TOUCH PANEL AS SHOWN.
 2.TAIL CONNECTOR:PITCH 2.54mm



204 ± 0.5 (Overall of Sensor)

188 ± 0.2 (View Area)

185 (Active Area)

266 ± 0.5 (Overall of Sensor)

250 ± 0.2 (View Area)

246 (Active Area)

307.80 [12.12"]

Y up

X left

X right

Y down

P/N	COVERSHEET TYPE	GLASS THICKNESS	FINISHED PART THICKNESS
4WR12023G2	CLEAR	1.8	2.1 ± 0.2
4WR12023N2	ANTI-GLARE		

CONNECTOR PINOUT	
PIN NO	ASSIGNMENT
1	Y down
2	X right
3	Y up
4	X left

宇鴻光電股份有限公司
ATouch Technologies Co., Ltd.

MODEL NUMBER		4WR12023A2
DRAWN BY	DIMENSION UNIT	ISSUE DATE
KEN JHUANG	mm	12 / 19 / 07
CHECKED BY	SCALE	REV
MELISSA WEI	NOT TO SCALE	E