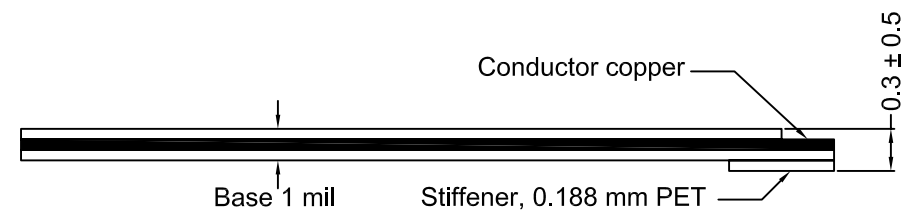
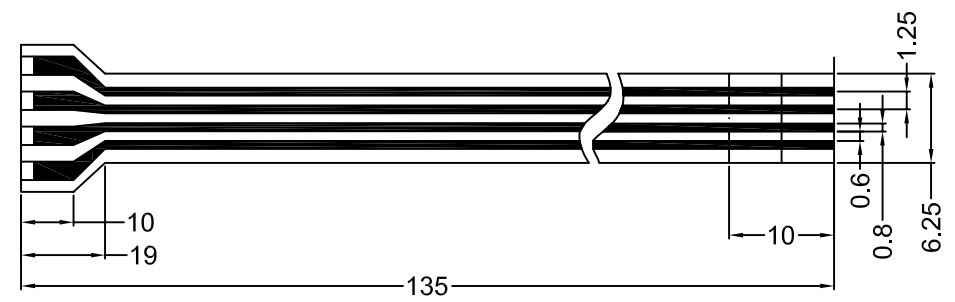
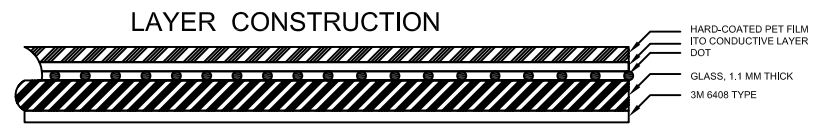
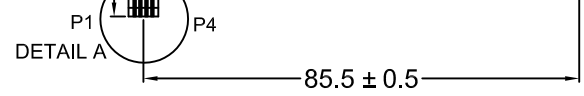


- NOTE:**
1. CABLE IS ATTACHED TO THE DOWN SIDE OF TOUCH POINT AS SHOWN.
 2. FPC TAIL CONNECTOR: PITCH 1.25 mm.
 3. ITO FILM IS ANTI-NEWTON RING TYPE.
 4. USE 3M 6408 TYPE.



CONNECTOR PINOUT	
PIN NO	ASSIGNMENT
1	X left
2	Y down
3	X right
4	Y up



P/N	COVERSHEET TYPE	GLASS THICKNESS	FINISHED PART THICKNESS
4WR0801FB3	ANTI-NEWTON RING	1.1	1.7 ± 0.2

宇鴻光電股份有限公司 ATouch Technologies Co., Ltd.		
MODEL NUMBER		4WR0801FB3
DRAWN BY	DIMENSION UNIT	ISSUE DATE
KEN JHUANG	mm	01 / 04 / 10
CHECKED BY	SCALE	REV
MELISSA WEI	NOT TO SCALE	E