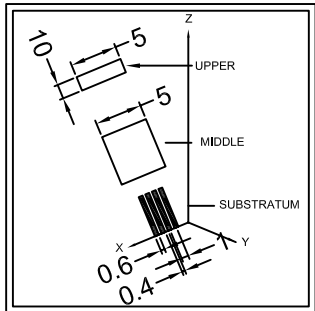
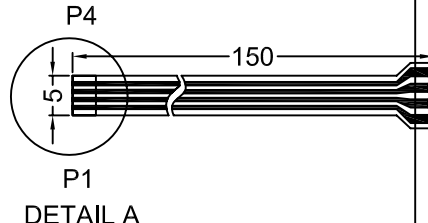
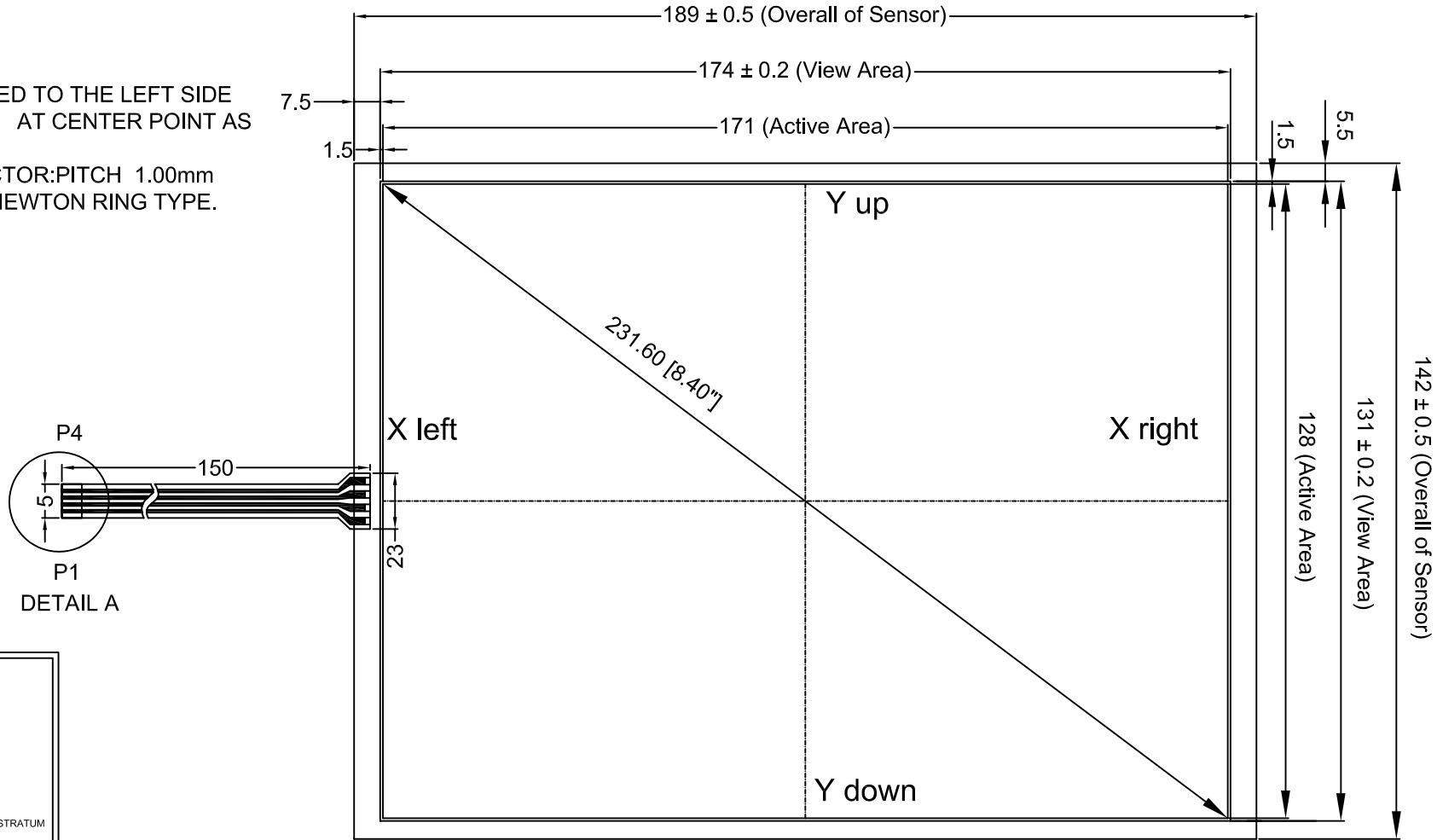


NOTE:

1. CABLE IS ATTACHED TO THE LEFT SIDE OF TOUCH PANEL AT CENTER POINT AS SHOWN.
2. FPC TAIL CONNECTOR: PITCH 1.00mm
3. ITO FILM IS ANTI-NEWTON RING TYPE.



P/N	COVERSHEET TYPE	GLASS THICKNESS	FINISHED PART THICKNESS
4WR0843FB3	ANTI-NEWTON RING	2.8	3.1 ± 0.2

CONNECTOR PINOUT	
PIN NO	ASSIGNMENT
1	Y down
2	X left
3	Y up
4	X right

宇鴻光電股份有限公司 ATouch Technologies Co., Ltd.		
MODEL NUMBER		4WR0843FB3
DRAWN BY	DIMENSION UNIT	ISSUE DATE
KEN JHUANG	mm	01 / 04 / 10
CHECKED BY	SCALE	REV
MELISSA WEI	NOT TO SCALE	E