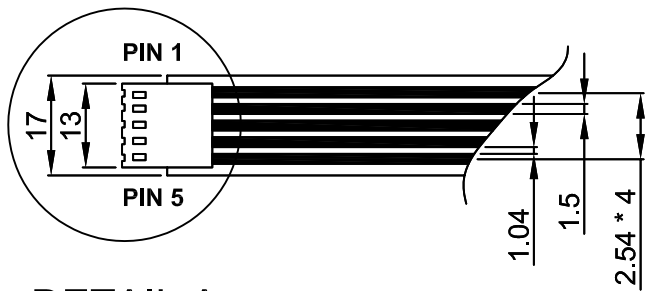
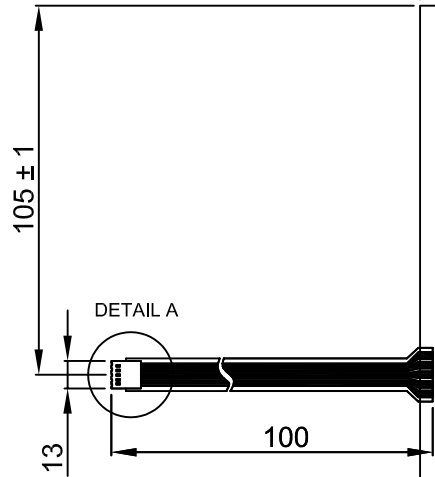
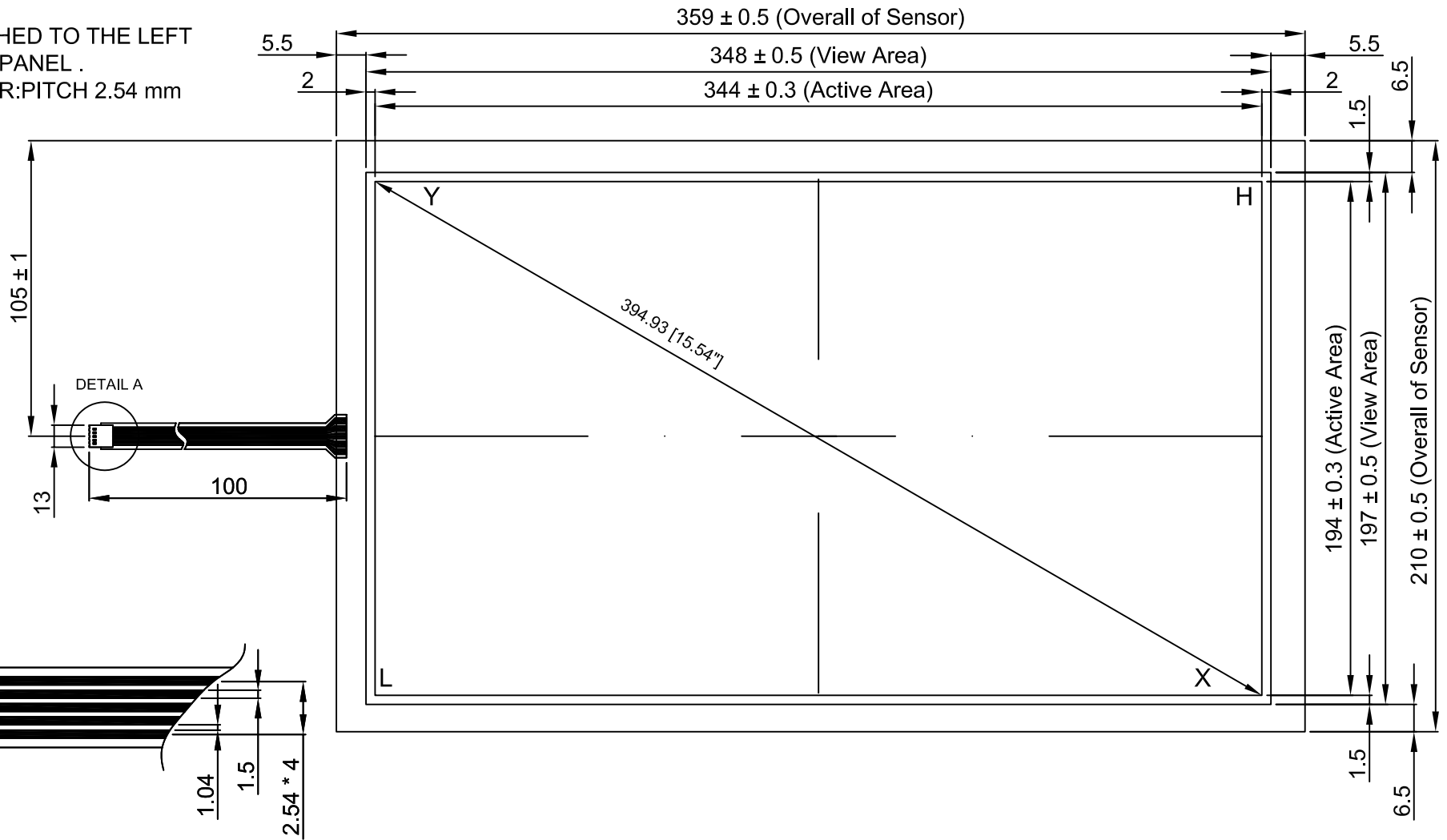


NOTE:

- 1.CABLE IS ATTACHED TO THE LEFT SIDE OF TOUCH PANEL .
- 2.TAIL CONNECTOR:PITCH 2.54 mm
- 3.TAIL IS FPC .



DETAIL A

P/N	COVERSHEET TYPE	GLASS THICKNESS	FINISHED PART THICKNESS
5WR1562FB7	ANTI-NEWTON RING	1.8	2.1 ± 0.2

CONNECTOR PINOUT	
PIN NO	ASSIGNMENT
1	Y
2	H
3	S
4	X
5	L

宇鴻光電股份有限公司 ATouch Technologies Co., Ltd.		
MODEL NUMBER		5WR1562FB7
DRAWN BY	DIMENSION UNIT	ISSUE DATE
KEN JHUANG	mm	12 / 30 / 09
CHECKED BY	SCALE	REV
MELISSA WEI	NOT TO SCALE	A