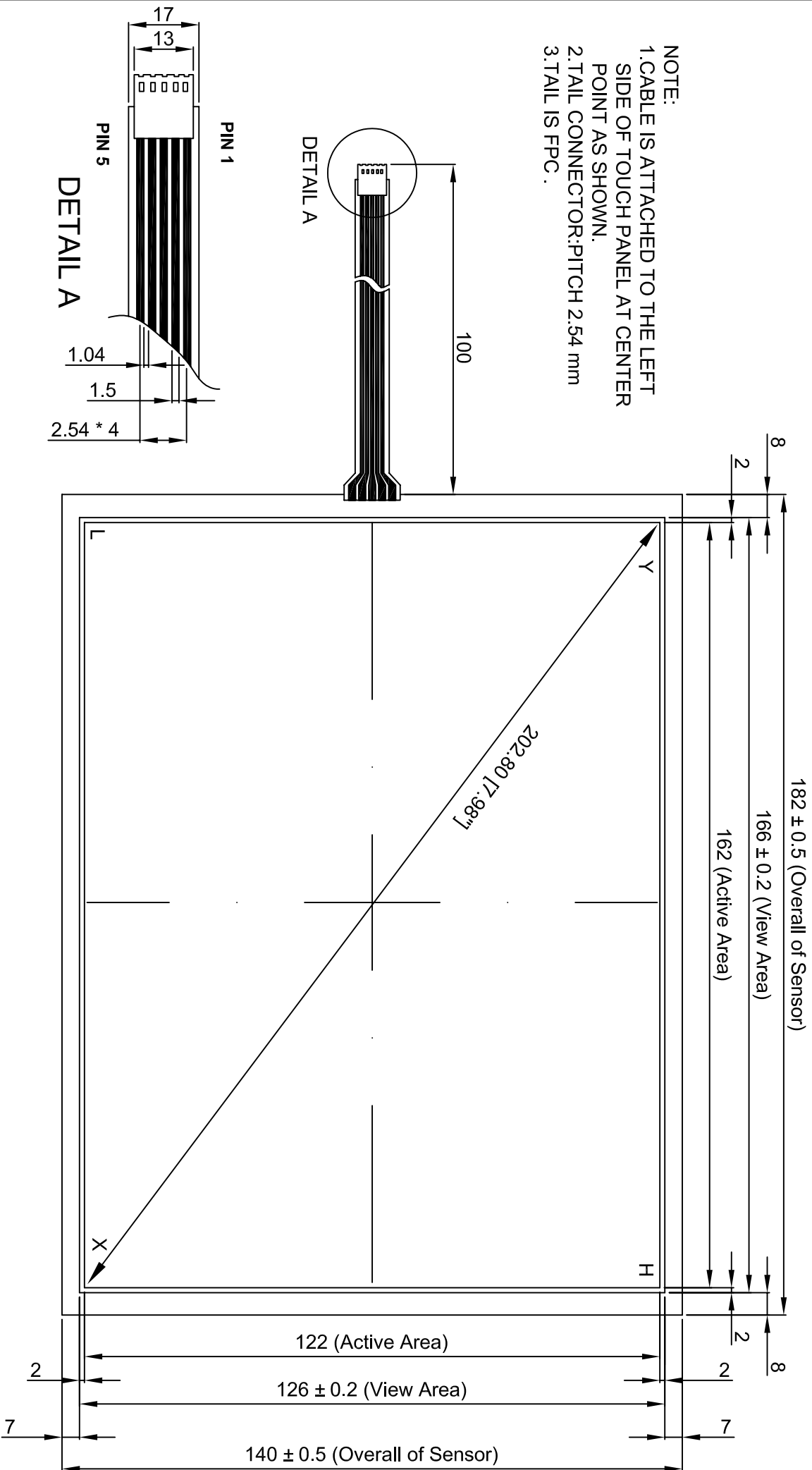


- NOTE:
1. CABLE IS ATTACHED TO THE LEFT SIDE OF TOUCH PANEL AT CENTER POINT AS SHOWN.
 2. TAIL CONNECTOR: PITCH 2.54 mm
 3. TAIL IS FPC.



P/N	COVERSHEET TYPE	GLASS THICKNESS	FINISHED PART THICKNESS
5WC0802FB1	ANTI-NEWTON RING	1.8	2.1 ± 0.2

CONNECTOR PINOUT	PIN NO	ASSIGNMENT
1	Y	Y
2	H	H
3	S	S
4	X	X
5	L	L

宇鴻光電股份有限公司	
ATouch Technologies Co., Ltd.	
MODEL NUMBER	5WC0802FB1
DRAWN BY	KEN JHUANG
CHECKED BY	MELISSA WEI
DIMENSION UNIT	mm
SCALE	NOT TO SCALE
ISSUE DATE	04 / 14 / 10
REV	1