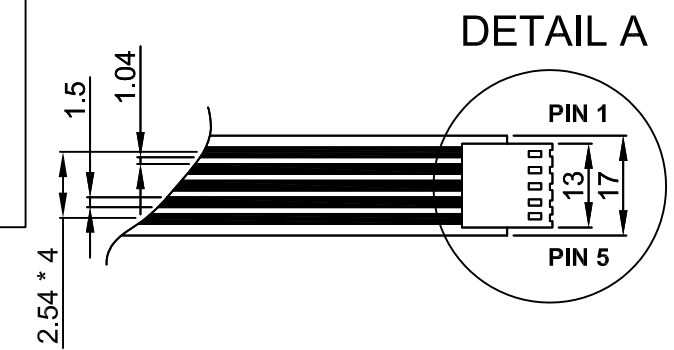
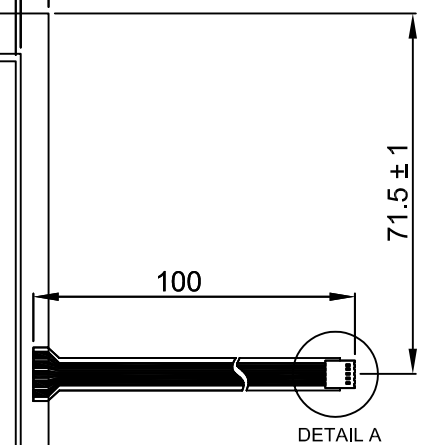


NOTE:  
 1. CABLE IS ATTACHED TO THE LEFT SIDE OF TOUCH PANEL AT CENTER POINT AS SHOWN.  
 2. TAIL CONNECTOR: PITCH 2.54 mm  
 3. TAIL IS FPC.



P/N	COVERSHEET TYPE	GLASS THICKNESS	FINISHED PART THICKNESS
5WC1001FB8	ANTI-NEWTON RING	1.1	1.4 ± 0.2

CONNECTOR PINOUT	
PIN NO	ASSIGNMENT
1	H
2	Y
3	S
4	L
5	X

<b>宇鴻光電股份有限公司</b> <b>ATouch Technologies Co., Ltd.</b>		
MODEL NUMBER		5WC1001FB8
DRAWN BY	DIMENSION UNIT	ISSUE DATE
KEN JHUANG	mm	02 / 26 / 10
CHECKED BY	SCALE	REV
MELISSA WEI	NOT TO SCALE	6