

# **ATouch Technologies Co., Ltd.**



Specification of  
5 Wire Analog Resistive  
RS-232 Control Board  
Model No. : 5WR232S



## A. Application

This specification applies to the

**RS-232 Control Board for 5 Wire Analog Resistive Touch Panel.**

**Model No. : 5WR232S**

## B. Environmental Conditions

**1. Operating Temperature Range**

-10°C ~ 60°C

**2. Operating Temperature Humidity**

5% to 95% RH (no dew falls)

**3. Storage Temperature Range**

-25°C ~ 85°C

**4. Storage Temperature Humidity**

5% to 95% RH (no dew falls)

**5. Shock and Vibration**

Three axis sine wave, 50 Hz to 2kHz, 1G, 2 minutes / Octave with dwell on resonances.

**6. Flammability**

The PCB substrate and all plastic components, such as headers and connectors are rated UL 94 V0.

## C. Electrical Characteristics

**1. Power Requirement**

+5V DC ( ±10%)

**2. Power Consumption**

Operating : 80~90mA

Non-operating : 120~130 mA

Max. current : 140mA

Min. current : 80mA



## 5 WIRE ANALOG RESISTIVE RS-232 CONTROL BOARD

3. **Expend Power**  
124 mA
4. **Interface**  
Serial RS-232
5. **Baud Rate**  
9600
6. **Electrostatic Protection**  
Per EN 61000-4-2, 1995 : Meets Level 4  
(15 kV air / 8 kV contact discharges).
7. **Touch Resolution**  
4096 x 4096
8. **Conversion Time**  
Approximately 10 ms per coordinate set.

### D. Mechanical Characteristics

1. **Dimensions**  
PCB board outside dimension : 55 (L) x 22.5 (W) x 11 (H) mm.  
Refer to Appendix A.
2. **Standard Cables, Connectors and Pin Definitions**
  - Standard external RS-232 cable connecting the controller with the computer serial port. Refer to Appendix B.
  - Serial Connector : P2  
2.0 pitch 5 pin connector on board for connection with RS-232 port.  
Refer to Appendix A.
  - Touchscreen Connector : P3  
1x5 male header with pins on 2.54mm centers for connection with the touch panel.  
Refer to Appendix A.



### E. LED Diagnostic Characteristics

A green LED indicates controller status as follows:

Action and Condition	LED status	Function
The control board is connected with host, not touch panel yet.	Light continuously	The control board is in normal condition.
No touch	Snuff out	Untouched state
Touch	Light	Touched state

### F. Software Driver

Under Windows : Mouse emulation.

Support Operating System

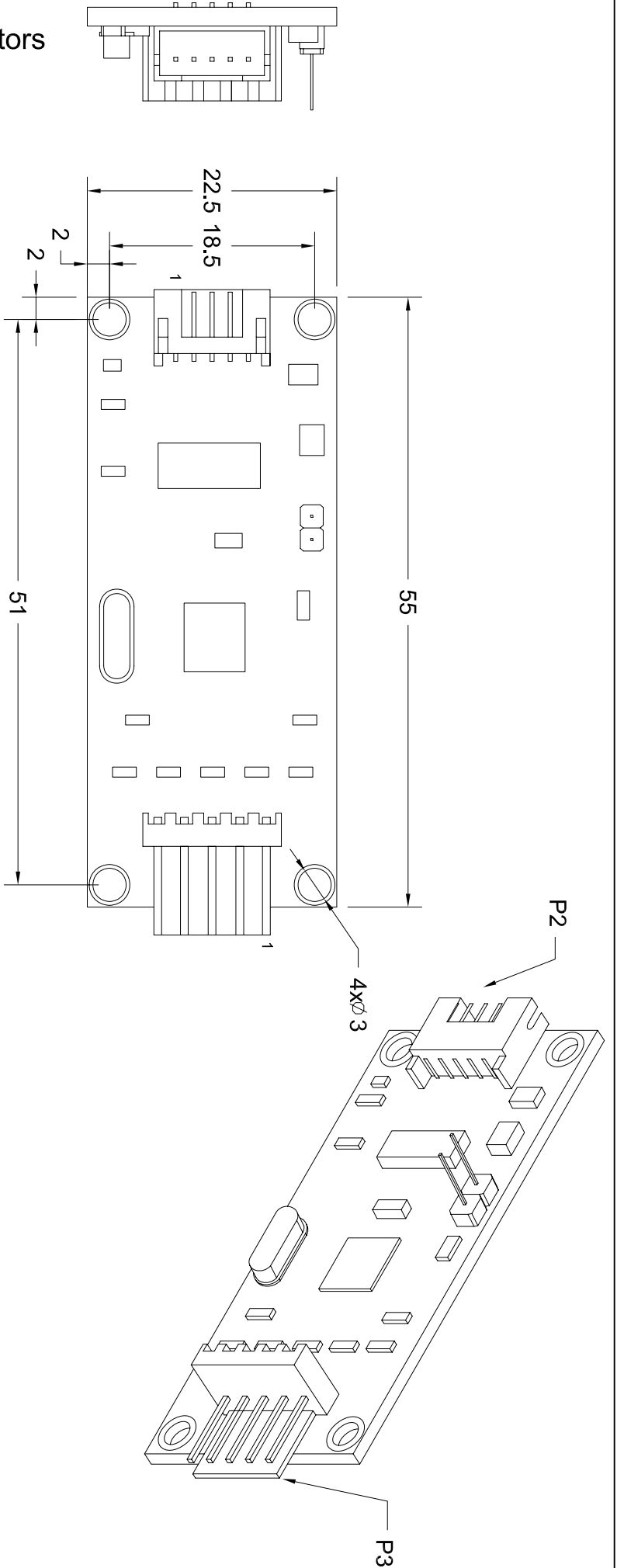
- Microsoft Windows NT4.0/XP/2000/ME/98/95
- Linux : Red Hat 9.0, Mandrake 10.0, SuSE9.2, Fedora Core I &II & III, Yellow Dog 3. x
- MS-DOS

### G. Reliability

The following characteristics are generated by evaluating test samples after 2 hours leaving in the room condition when each of the reliability tests finishes.

Test Item	Result	Remark
Storage Temperature-high	85°C for 240hours	At ambient humidity
Storage Temperature-low	-25°C for 240hours	
Thermal Shock	-10°C (1 hr.)~ 60°C (1 hr.) 10cycles	
High Temp./Humidity Test	60°C/95%RH : 240hours	

# Appendix A Dimension Drawing and Pin Definitions of Connectors



**CONNECTOR P2**

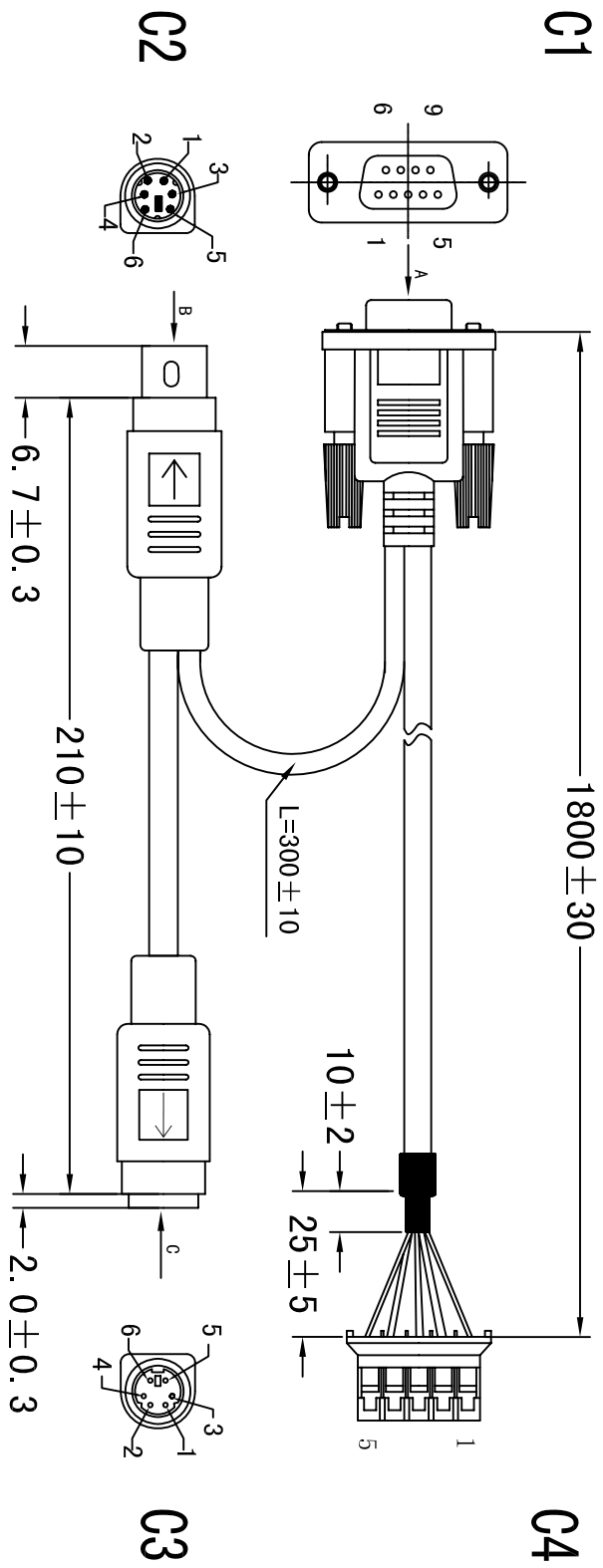
PIN #	SIGNAL NAME
1	CTS
2	TXD
3	RXD
4	GND
5	+5V

**CONNECTOR P3**

PIN #	SIGNAL NAME
1	H
2	X
3	S
4	Y
5	L

P/N: 5WR232SA5			
ATouch Technologies Co., Ltd.			
宇鴻光電股份有限公司			
DRAWN BY	HATTIE	DIMENSION UNIT	SCALE
CHECKED BY	ANSON	NOT TO SCALE	ISSUE DATE
			08/31/05
			REV
			A

# Appendix B Standard External RS-232 Cable



## MATERIAL LIST:

### CONNECTOR:

- C1:DB9 FEMALE PVC MOLDED COLOR:BLACK.
- C2:MINI DIN 6PIN MALE PVC MOLDED COLOR:BLACK.
- C3:MINI DIN 6PIN FEMALE PVC MOLDED COLOR:BLACK.
- C4:2.0PITCH SPIN HOUSING COLOR:WHITE.

### CABLE:

- UL2464 #26\*6C+AE OD:5.0mm COLOR:BLACK.
- UL2464 #26\*4C+AE OD:5.0mm COLOR:BLACK.
- UL2462 #26\*5C+AE OD:5.0mm COLOR:BLACK.
- CORE:
- 12\*5.6\*20mm PVC MOLDED COLOR:BLACK

## PIN ASSEMBLY

C3	C2	C1	C4
1	1	2	2
2	2	3	3
3	3	5	4
4	4	RED	5
5	5	ORANGE	+5V
6	6	GREEN	1
SHELL	SHELL	SHELL	CTS
	GND	GND	

宇鴻光電股份有限公司 ATouch Technologies Co., Ltd.	
DESCRIPTION:MD6F/MD6M/DB9F/PH5	ISSUE:05/9/27
PART No.:CAB232E6B5	PAGE:1 OF 1
DRAWN BY:HA TTIE	REV:A
CHECKED BY:ANSON	UNIT:mm