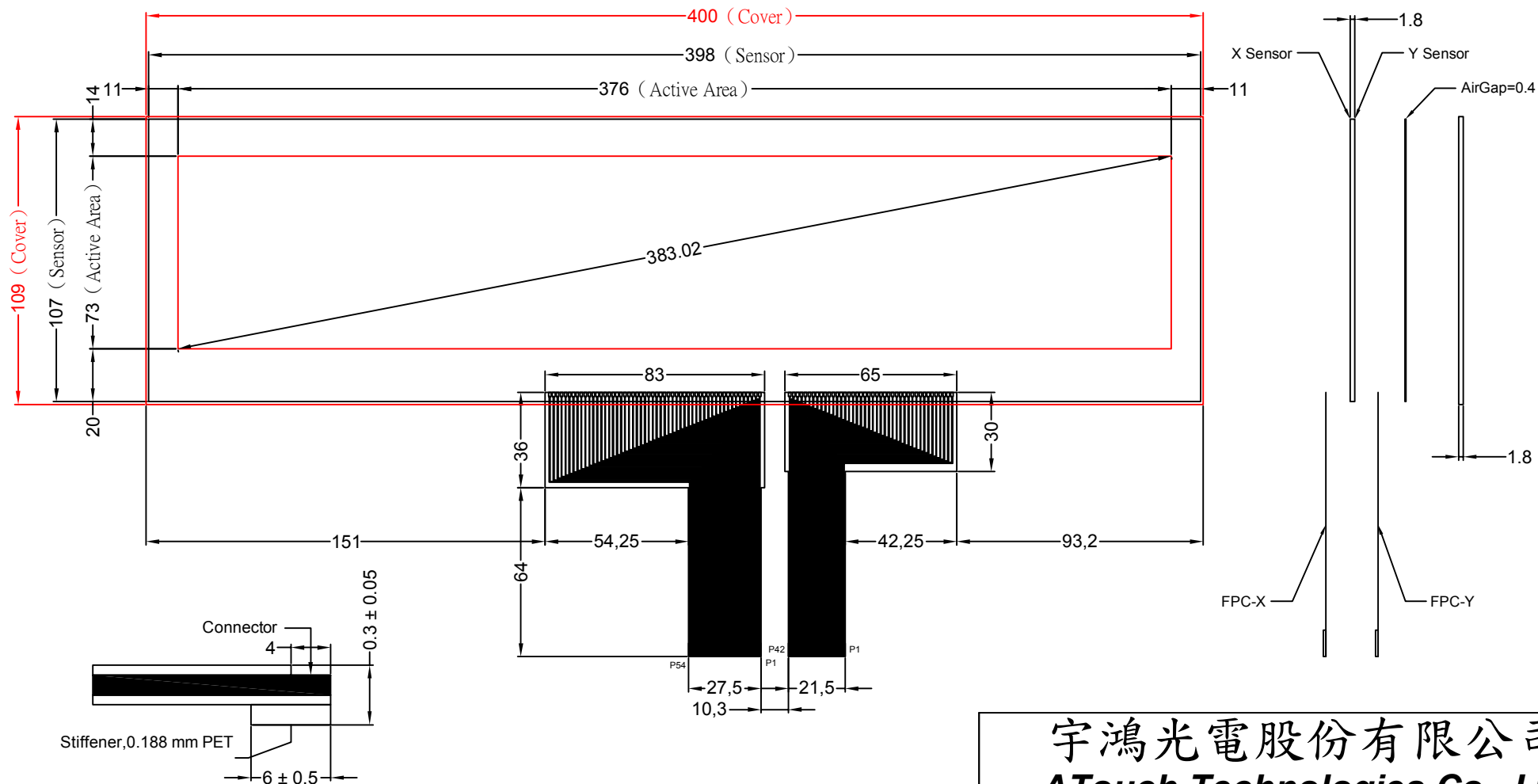


**NOTE:**

- 1.X Sensor : Glass 1.8mm 、 Pin1~Pin54.
- 2.Y Sensor : Glass 1.8mm 、 Pin1~Pin42.
- 3.Black : 376\*73~400\*109.



**宇鴻光電股份有限公司**  
**ATouch Technologies Co., Ltd.**

MODEL NUMBER      PCT1904FG3

DRAWN BY KEN JHUANG	DIMENSION UNIT mm	ISSUE DATE 04 / 22 / 16
------------------------	----------------------	----------------------------

CHECKED BY KAYA HO	SCALE NOT TO SCALE	REV 1
-----------------------	-----------------------	----------

P/N	COVERSHEET TYPE	GLASS THICKNESS	FINISHED PART THICKNESS
PCT1904FG3	CLEAR	1.8+0.4+1.8	4 ± 0.3